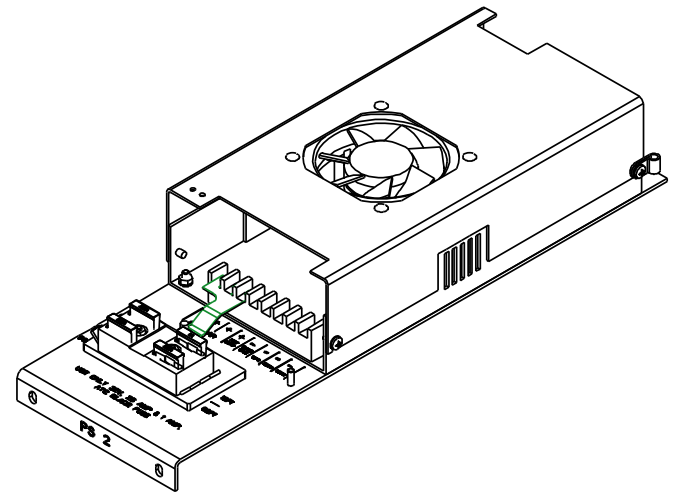
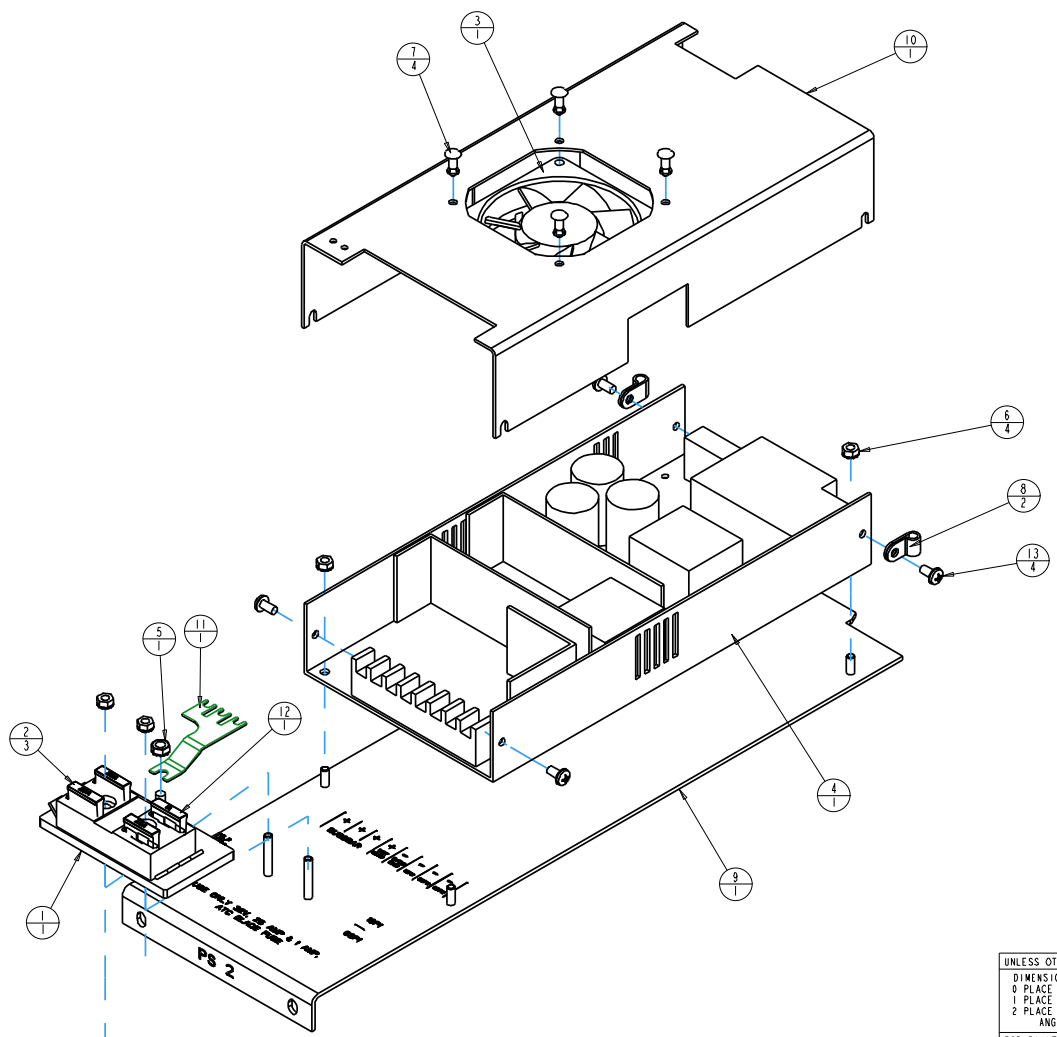


REV.	DESCRIPTION	DATE	ENG	ECO #	APPR
1	CREATE DRAWING	25FEB08	PP		MB
2	REMOVE 1EA 25A FUSE, ADD 1EA 1A FUSE, UPDATE REV ON ITEM 9	14MAR08			MB
3	REVISION UPDATE FOR TZ118	09MAY08	PP		MB



ITEM NO.	QTY.	FILENAME	PART NO.	REV	DESCRIPTION
13	4	SCREWM4PP08SBZ	91020408	.	SCREW,M4 PHIL PAN 08 SEMS BZ
12	1	FUSE_1A_AUTO	90403032EF	.	FUSE,1A 32V BLADE AUTOMOTIVE
11	1	TZ306	99260551	3	TIE-BAR, POWER SUPPLY
10	1	TZ113	99080347	.	COVER, POWER SUPPLY
9	1	TZ118	99080351	C	PLATE, TRAY, POWER SUPPLY, PS2, MEA4
8	2	CLAMP_188_NY	90410023	.	CLAMP, 3/16 NYLON CABLE CLAMP BLACK
7	4	RIVET156X460PUSH_NY	90701336	.	RIVET, 5/32 PUSH .217-.256 NY BL
6	4	NUTM4KEP	91201204	.	NUT,M4 KEPS
5	1	NUT10-32KEP	90703003	-	NUT, 10-32 KEPS NUT SZ
4	1	MEANWELL_USP500	99070021EF	1	POWER SUPPLY, MEA4
3	1	KT706	80270032	-	FAN, ASSY 24V DC 80MM X 20MM
2	3	FUSE_25A_AUTO	90403031EF	.	FUSE,25A 32V BLADE AUTOMOTIVE
1	1	BUSSMANN_15600_4	90412028EF	1	PANEL,FUSE X 4 ATC AUTOMOTIVE TYPE

UNLESS OTHERWISE SPECIFIED:
 DIMENSIONAL TOLERANCES:
 0 PLACE DECIMAL = ±0.38
 1 PLACE DECIMAL = ±0.25
 2 PLACE DECIMALS = ±0.13
 ANGLES = ±0.5°

FOR PAINTED PARTS REFER TO
 ENG. SPEC. MANUAL WI-0592
 ALL COMPONENTS, MATERIALS AND
 FINISHES TO BE RoHS COMPLIANT

MIN. DRAFT
 MIN. RADII
 FLATNESS
 THICKNESS
 VOLUME

RELEASE DATE:
 ENG: MIKE BELL
 ME:
 MEG:
 DESCRIPTION:
 POWER SUPPLY TRAY ASSEMBLY, PS2

CE:
 OA:
 DRW: PETE PHILLIPS

MATERIAL:
 TBD

FINISH:
 TBD

INTERPRET DIMENSIONS PER
 ASME Y14.5M-1994
 THIRD ANGLE PROJECTION
 DIMENSIONS ARE IN MILLIMETERS

SI METRIC
A1

PART NO. DRAWING NO. REV.
 INTERNAL TZA010 3

DO NOT SCALE SCALE: 0.500 SHEET: 1 OF 1

High End 2105 GRACY FARMS LANE
 AUSTIN, TEXAS 78158
 (512) 836-2242
 FAX (512) 832-4128
 http://www.highend.com

Lightwave Research

PROPRIETARY NOTICE:
 THIS DOCUMENT CONTAINS CONFIDENTIAL AND PROPRIETARY INFORMATION OF HIGH END SYSTEMS INC., (ALSO DBA LIGHTWAVE RESEARCH) AND IS GIVEN TO THE RECEIVER IN CONFIDENCE. THE RECEIVER ACCEPTS AND AGREES THAT, EXCEPT AS AUTHORIZED BY HIGH END SYSTEMS, THE RECEIVER WILL NOT PERMIT THE USE OF THE DOCUMENT OR ANY COPY THEREOF OR THE INFORMATION THEREIN, WILL NOT COPY OR PERMIT COPYING THE DOCUMENT WILL NOT DISCLOSE TO OTHERS EITHER THE DOCUMENT OR THE INFORMATION THEREIN, AND WILL UPON COMPLETION OF THE NEED TO RETAIN THE DOCUMENT, OR UPON DEMAND, RETURN THE DOCUMENT WITHOUT RETAINING ANY OF THE INFORMATION CONTAINED THEREIN IN ANY FORM WHATSOEVER.

TZA010	-- Type: ASSEM
Rev:	3
Symix:	INTERNAL
Desc:	POWER SUPPLY TRAY ASSEMBLY, PS2
Mat'l:	TBD
Finish:	
Release:	
Eng:	MIKE BELL